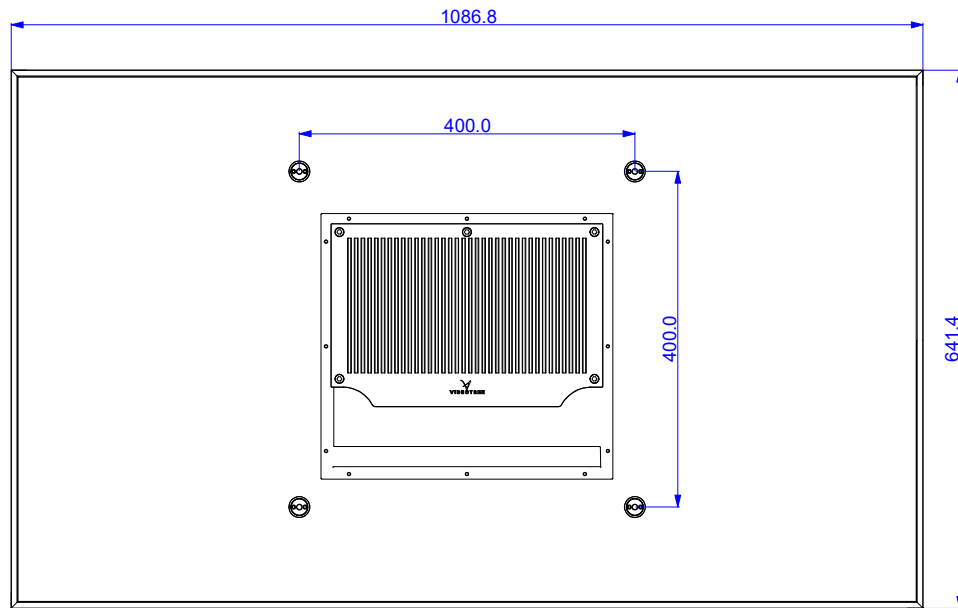


TOP



FRONT



BACK

SIDE



IMPORTANT NOTICE
 This document is subject to change without notice. All dimensions are in millimeters unless otherwise specified. If there are any discrepancies between the dimensions shown on this drawing and the actual dimensions of the product, the actual dimensions of the product shall prevail.

VIDEOTREE

| | | | |
|-------|------------|------|----------|
| TITLE | 46 Oceanus | | |
| SIZE | General | | |
| SCALE | DWS | REV | ▲ |
| DATE | Rev.001 | DATE | 27/09/17 |

No. SK