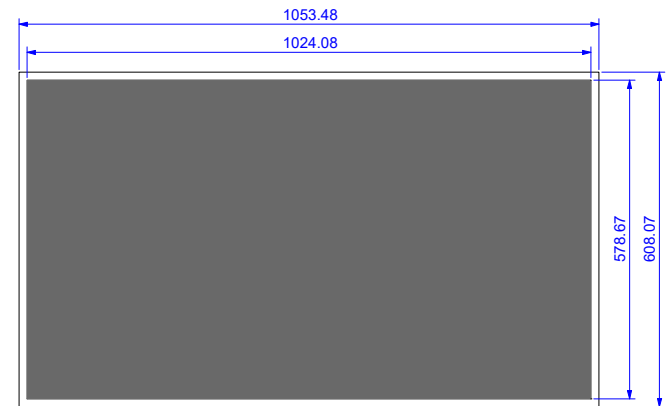
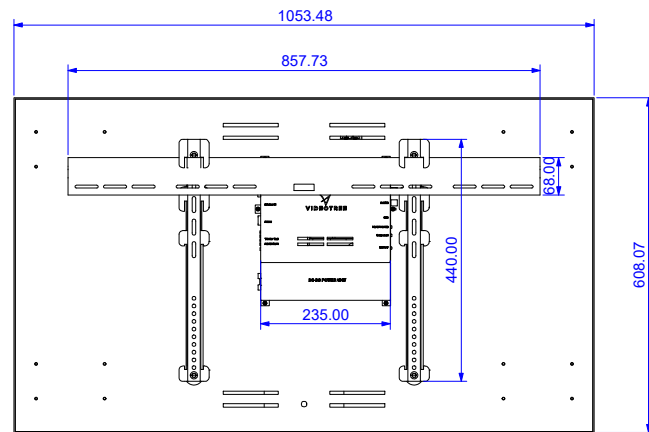


TOP

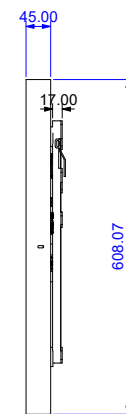


FRONT



BACK

SIDE



IMPORTANT NOTICE
 This document is subject to change without notice. Please refer to the latest version of this document for the most up-to-date information.
 All rights reserved. © 2009 Videotree Inc. All rights reserved.

VIDEOTREE

TITLE	46" Mirror Module		
DATE	General		
DESIGNER	DNS	REV	A
DATE	2009/10/16	DATE	2009/10/16

No. SK MM 1011